

Closed-End Horizontal Balers



NEXGEN Gives You More for Your Baler Dollar!

- **MULTI-MATERIAL PROCESSING**
Closed-End Balers process a wide variety of material. One model will process up to 20 tons of OCC in a typical day's shift.
- **ROTARY BALE LENGTH GAUGE & BALE MADE LIGHT**
The Rotary Bale Length Gauge activates the Bale Made Light automatically with no flag pole to engage or disengage.
- **PHOTO ELECTRIC CELL**
A photocell facilitates automatic cycling.

OTHER FEATURES

- Heavy-duty, spring loaded retainer locks
- Reversible and replaceable ram shear blade
- Serrated body shear blade
- Programmable controller
- Chute or hand feed hopper
- Heavy-duty power pack with 20 or 30 HP TEFC motor and key operated start on/off switch
- 460 volt with power disconnect switch
- Center position valve, 10 micron return line filter and 100 mesh suction line strainer
- Audio/visual start-up alarm
- Turnkey installations by factory trained representatives
- Oil Cooler (standard on 30 HP models)



**OCC Bale
Weights Up to
2,000 lbs!**



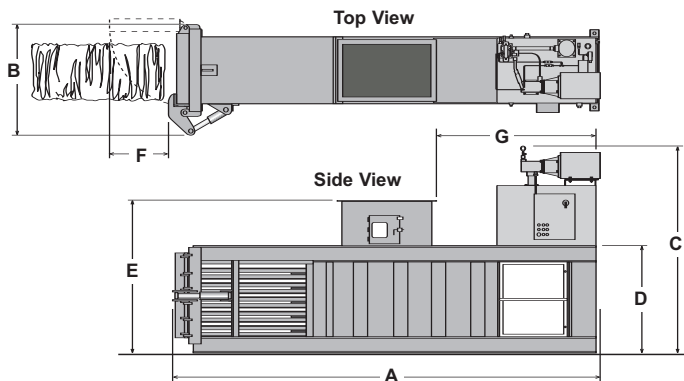
Specifications NEXGEN Standard Closed-End Horizontal Balers

Models	Feed Chamber	Bale Weight (OCC)	Cycle Time	Platen Force	Platen Pressure	Ram Pen	Motor	Pump	Operating Pressure	Cylinder Bore	Cylinder Rod	Cylinder Stroke	Reservoir Capacity
CE-303042-620-E*	30"L x 30"W 762 x 762mm	Up to 1300 lbs. 590 kg	30 sec.	70,700 lbs. 315 kN	57.5 psi 396.5 kPa	16"	20 hp 14.9 kW	18.5 gpm 70 L/min	2500 psi 172 bar	6"	4"	48"	55 gal 208.18 lit
CE-303042-720	30"L x 30"W 762 x 762mm	Up to 1400 lbs. 635 kg	16 sec.	96,200 lbs. 428 kN	78.2 psi 539.2 kPa	16"	20 hp 14.9 kW	49 gpm 185.5 L/min	2500 psi 172 bar	7"	4.5"	48"	150 gal 567.75 lit
CE-503042-720	50"L x 30"W 1270 x 762mm	Up to 1400 lbs. 635 kg	22 sec.	96,200 lbs. 428 kN	78.2 psi 539.2 kPa	16"	20 hp 14.9 kW	49 gpm 185.5 L/min	2500 psi 172 bar	7"	4.5"	68"	150 gal 567.75 lit
CE-503042-830	50"L x 30"W 1270 x 762mm	Up to 1500 lbs. 680 kg	20 sec.	125,700 lbs. 559 kN	102.2 psi 704.7 kPa	16"	30 hp 22.4 kW	75 gpm 284 L/min	2500 psi 172 bar	8"	4.5"	68"	150 gal 567.75 lit
CE-504242-830	50"L x 42"W 1270 x 1067mm	Up to 1800 lbs. 817 kg	20 sec.	125,700 lbs. 559 kN	73.0 psi 503.3 kPa	16"	30 hp 22.4 kW	75 gpm 284 L/min	2500 psi 172 bar	8"	4.5"	68"	150 gal 567.75 lit
CE-504842-830	50"L x 48"W 1270 x 1219mm	Up to 2000 lbs. 907 kg	20 sec.	125,700 lbs. 559 kN	63.9 psi 440.6 kPa	16"	30 hp 22.4 kW	75 gpm 284 L/min	2500 psi 172 bar	8"	4.5"	68"	150 gal 567.75 lit
CE-604242-830	60"L x 39 3/4"W 1524 x 1010mm	Up to 1600 lbs. 817 kg	25 sec.	125,700 lbs. 559 kN	73.0 psi 503.3 kPa	16"	30 hp 22.4 kW	75 gpm 284 L/min	2500 psi 172 bar	8"	4.5"	90"	150 gal 567.75 lit
CE-604842-830	60"L x 45 3/4"W 1524 x 1162mm	Up to 1800 lbs. 817 kg	25 sec.	125,700 lbs. 559 kN	63.9 psi 440.6 kPa	16"	30 hp 22.4 kW	75 gpm 284 L/min	2500 psi 172 bar	8"	4.5"	90"	150 gal 567.75 lit

*Certain standard features are not available on the 620-E model

Dimensions

	A	B	C	D	E	F	G	Weight
CE-303042-620-E	18'-9" 5715mm	59" 1499mm	88" 2235mm	55 1/8" 1400mm	92" 2337mm	32" 813mm	97" 2464mm	11,400 lbs. 5171 kg
CE-303042-720	18'-9" 5715mm	59" 1499mm	106 5/8" 2708mm	55 1/8" 1400mm	92" 2337mm	32" 813mm	97" 2464mm	12,300 lbs. 5579 kg
CE-503042-720	20'-5" 6223mm	59" 1499mm	106 5/8" 2708mm	55 1/8" 1400mm	92" 2337mm	32" 813mm	97" 2464mm	13,000 lbs. 5997 kg
CE-503042-830	20'-5" 6223mm	59" 1499mm	106 5/8" 2708mm	55 1/8" 1400mm	92" 2337mm	32" 813mm	97" 2464mm	13,200 lbs. 5988 kg
CE-504242-830	20'-5" 6223mm	71" 1956mm	106 5/8" 2708mm	55 1/8" 1400mm	92" 2337mm	44 1/8" 1118mm	97" 2464mm	15,300 lbs. 6940 kg
CE-504842-830	20'-5" 6223mm	77" 1956mm	106 5/8" 2708mm	55 1/8" 1400mm	92" 2337mm	50" 1270mm	97" 2464mm	16,100 lbs. 7303 kg
CE-604242-830	21'-9 11/16" 6647mm	68 3/16" 1732mm	106 5/8" 2708mm	55 1/8" 1400mm	92" 2337mm	44 1/8" 1118mm	97" 2464mm	16,600 lbs. 7530 kg
CE-604842-830	21'-9 11/16" 6647mm	75 1/4" 1911mm	106 5/8" 2708mm	55 1/8" 1400mm	92" 2337mm	44 1/8" 1118mm	97" 2464mm	17,200 lbs. 7802 kg



Material Thickness: Ram Face: 3/8" PL with 1" bars (1/4" PL on 620-E models); Ram Bottom, Bottom Liner, Ram Top, Floor, Floor Liner, and Charge Chamber Side: 3/8"; Bale Chamber Sides 1/4".

Other Options: Carts, Tongue & Groove Floor/Ram, Bale Wire, Conveyor Control Options, Accessory Control Option, Material Selector Switch, Remote Control Station, Remote Power Pack, Special Paint, Oil Cooler, Immersion Oil Heater, Oil Temperature Shut Down, Low Oil Shut Down, Sonic Sensor, Upper Photo Cell, Custom Bale Chamber Sizes, Custom Designed Hopper, etc.

NEXGEN's Closed-End Balers are available with a variety of optional equipment such as Cart Dumper and Conveyor feed systems

Visit us on-line at:

NEXGENbalers.com

Authorized NEXGEN Dealer:



P.O. Box 1798
Vernon, AL 35592-1798 USA
(205) 695-9105 • fax (205) 695-7250
1-800-633-8974

Pictures in this literature are illustrative only. Specifications are subject to change without notice in order to accommodate improvements to the equipment. Certified in compliance with ANSI Regulation Z245.5 and all OSHA standards. Products must be used with safe practice and in accordance with said regulations and standards.

