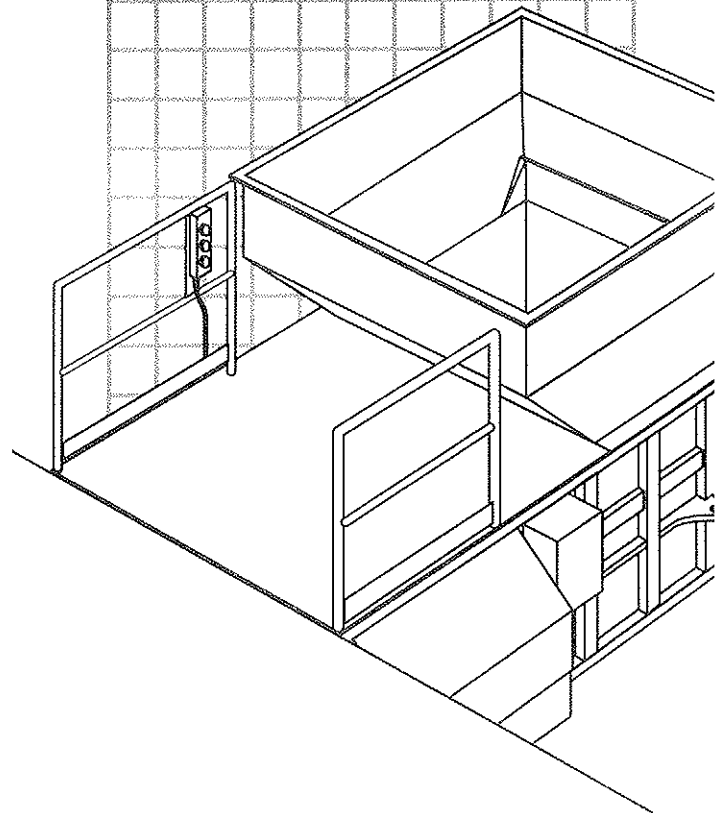


Installation Guidelines for Stationary Compactors

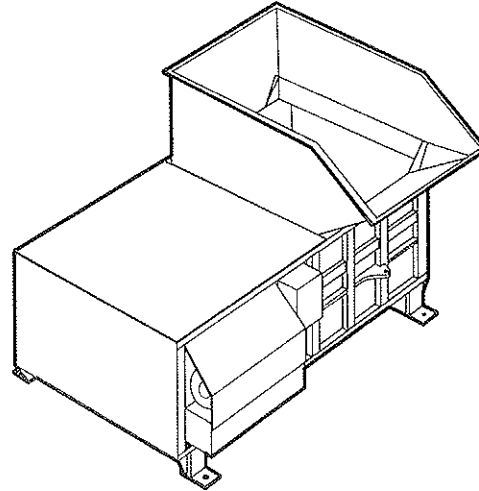
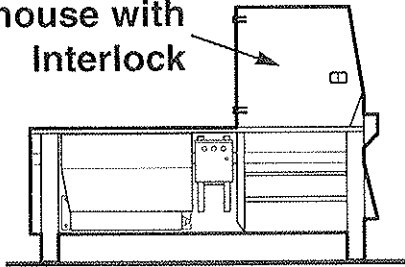
The information contained in this brochure is a simplified interpretation of parts of the American National Standard Institute, ANSI-Z245.2-1997, Safety Standards for Stationary Compactors. A copy of this standard is included with each unit and should be the primary reference for all safety issues.

Marathon supplies this information only as an aid for understanding the installation section of the standard. ***Marathon assumes no responsibility for any errors or omissions concerning this material.*** If you have any questions about the operation or installation of a Marathon compactor, please contact our Customer Service Department at **1-800-633-8974**



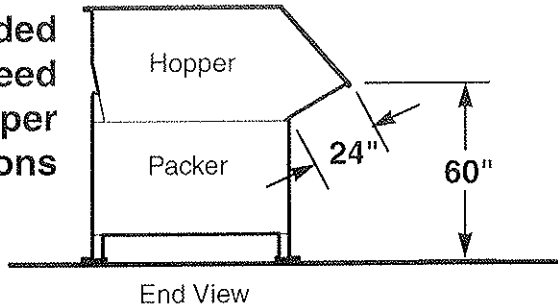
Ground Feed Installation

Doghouse with Interlock

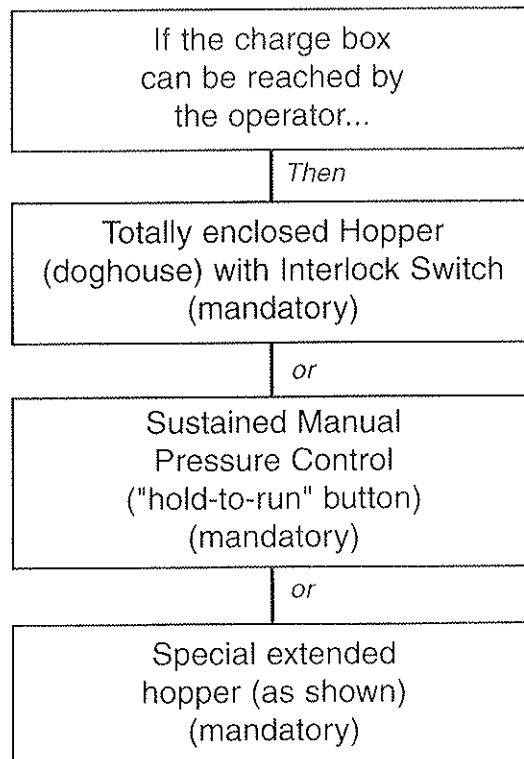


Extended Hopper

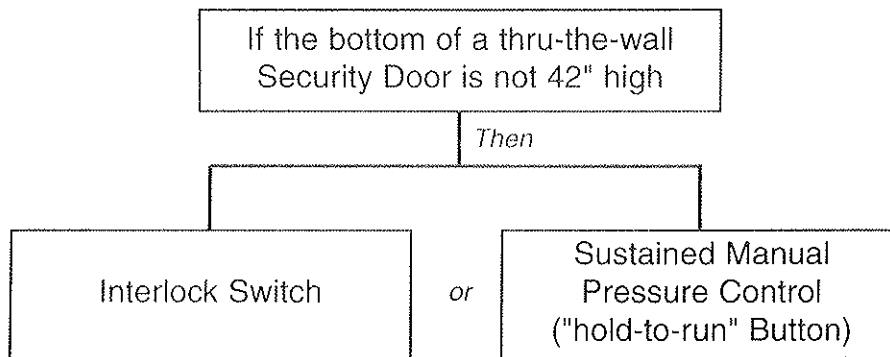
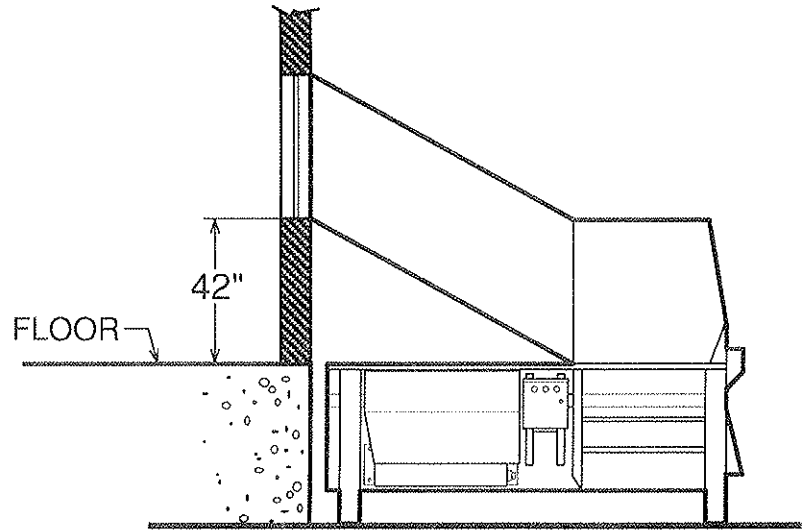
Recommended Side Feed Hopper Dimensions



End View

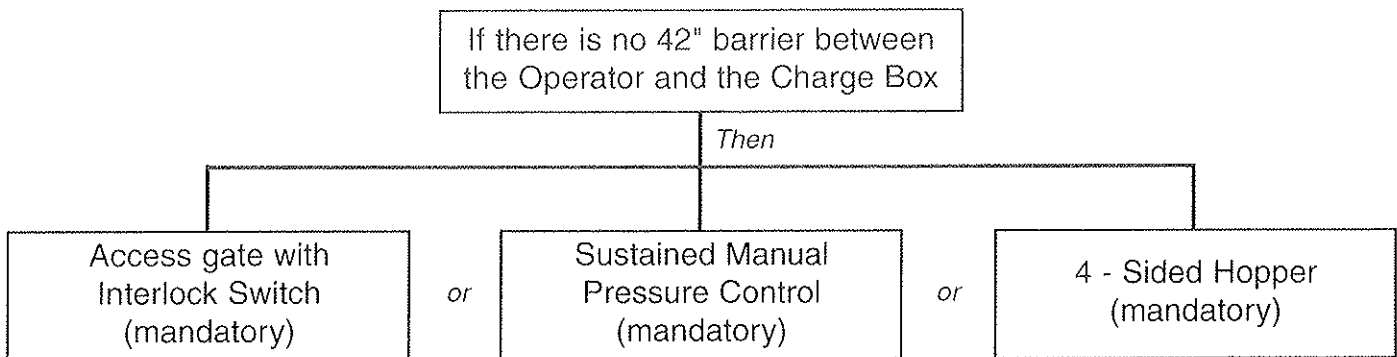
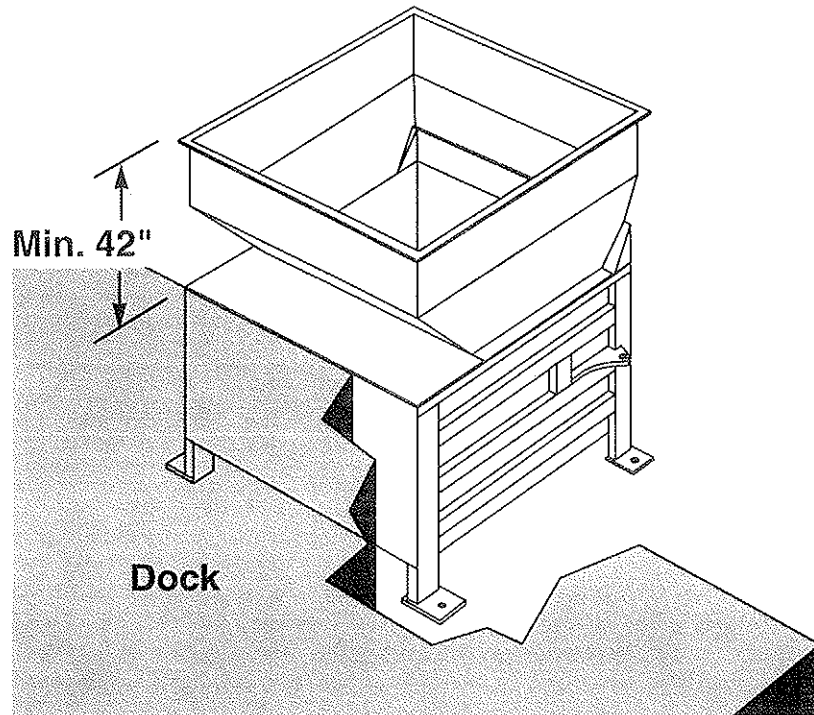


Thru-The-Wall Installation

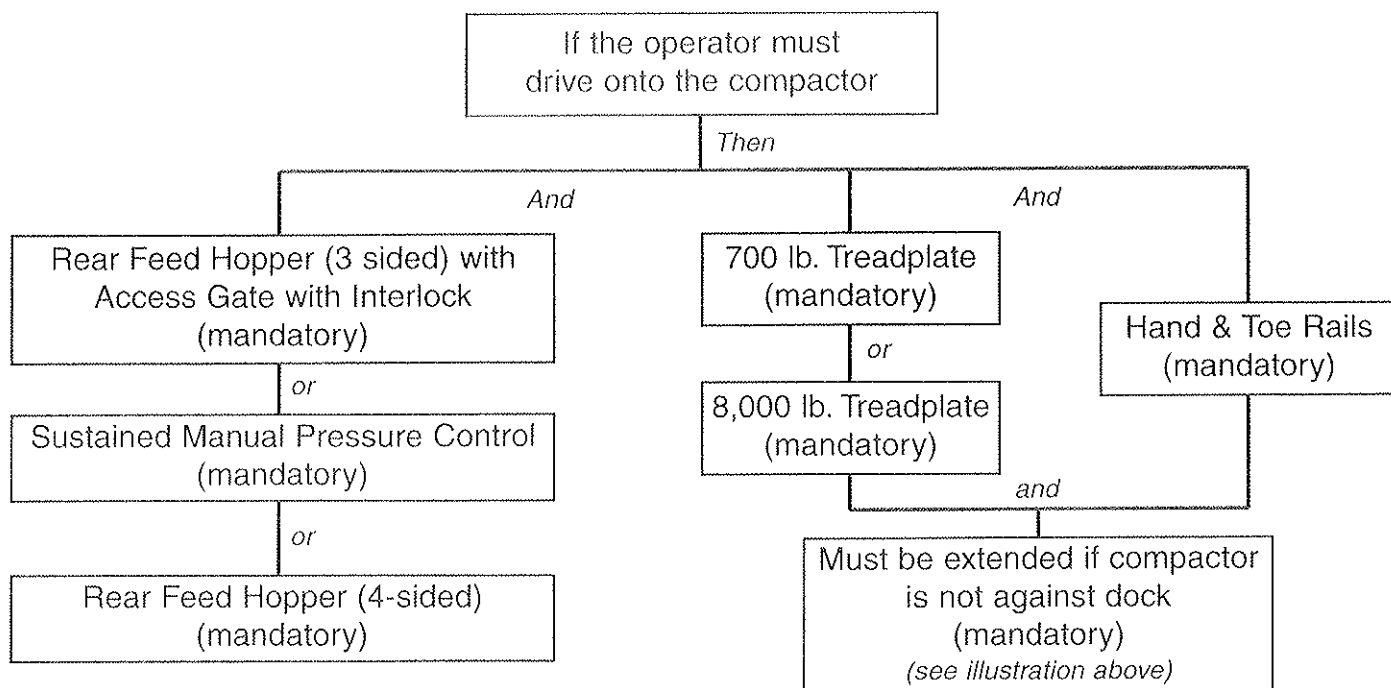
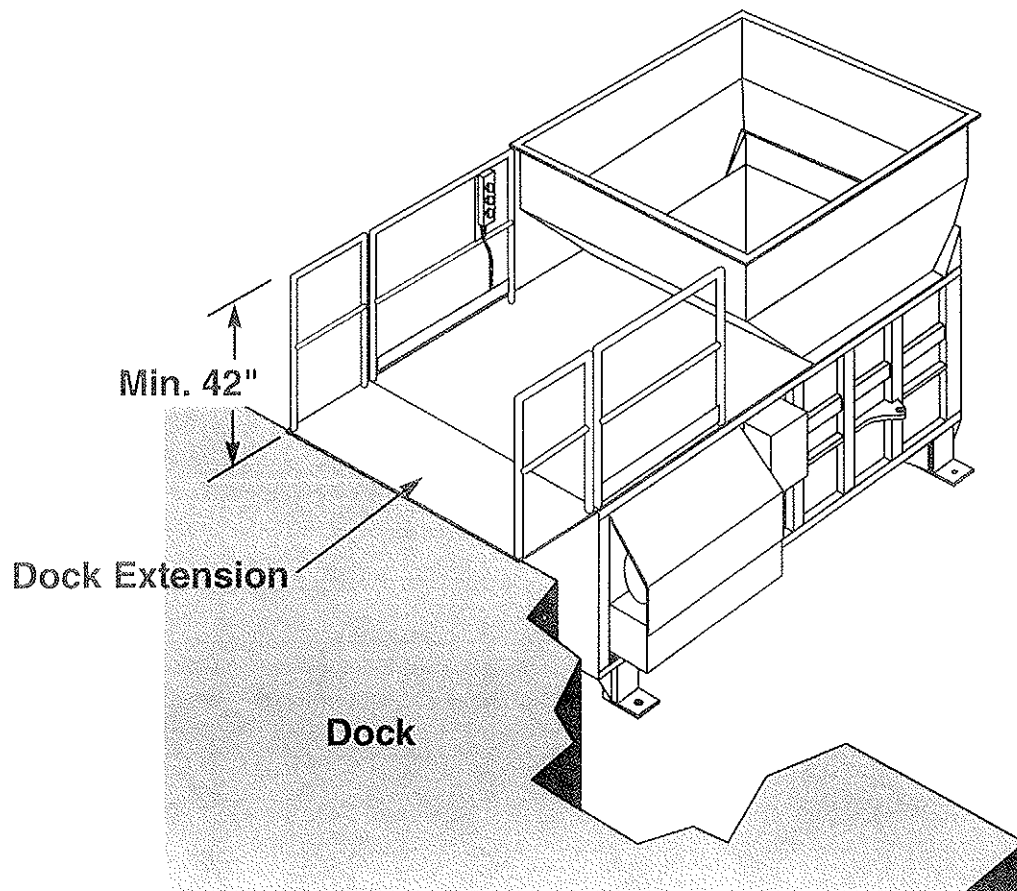


Note: Interlock Switch is recommended for all Security Doors and is required in some states.

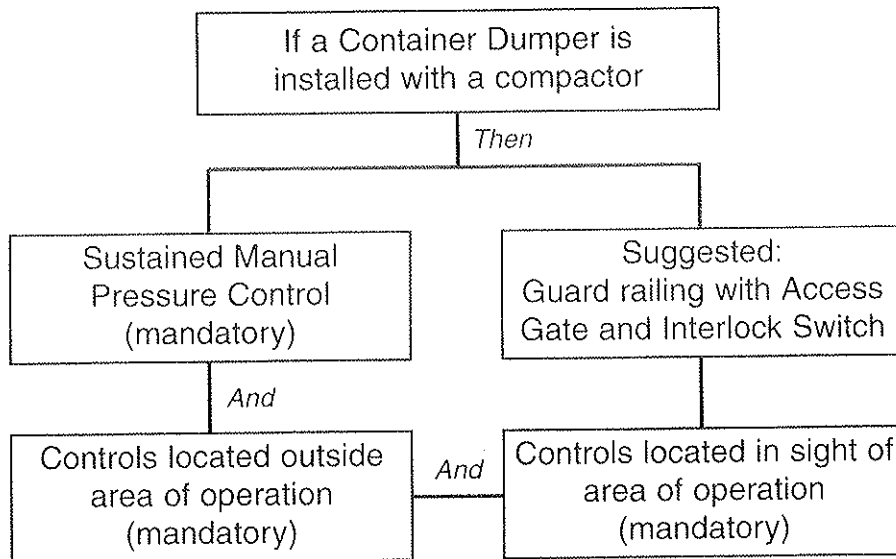
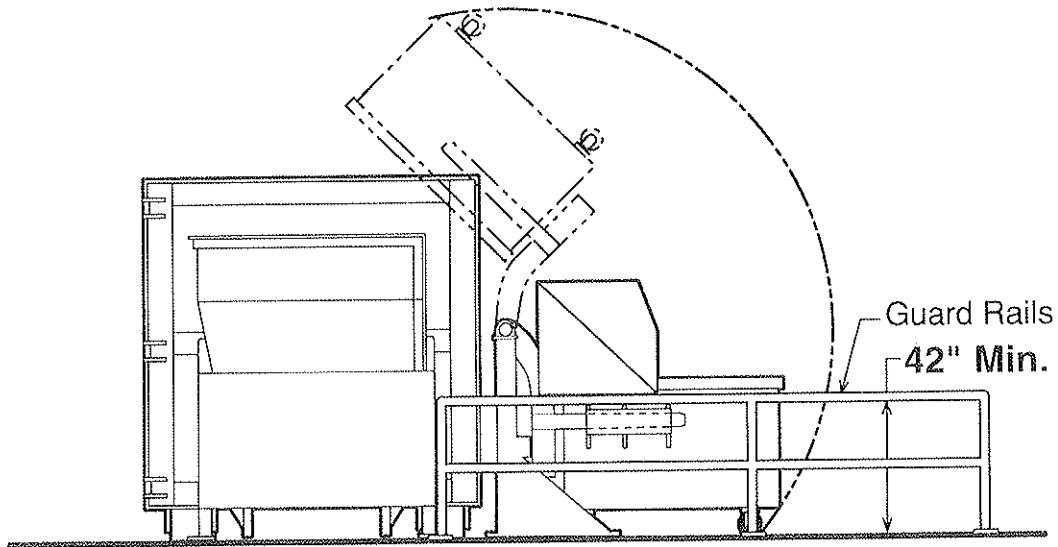
Dock Installation



Walk-On / Drive-On Installation

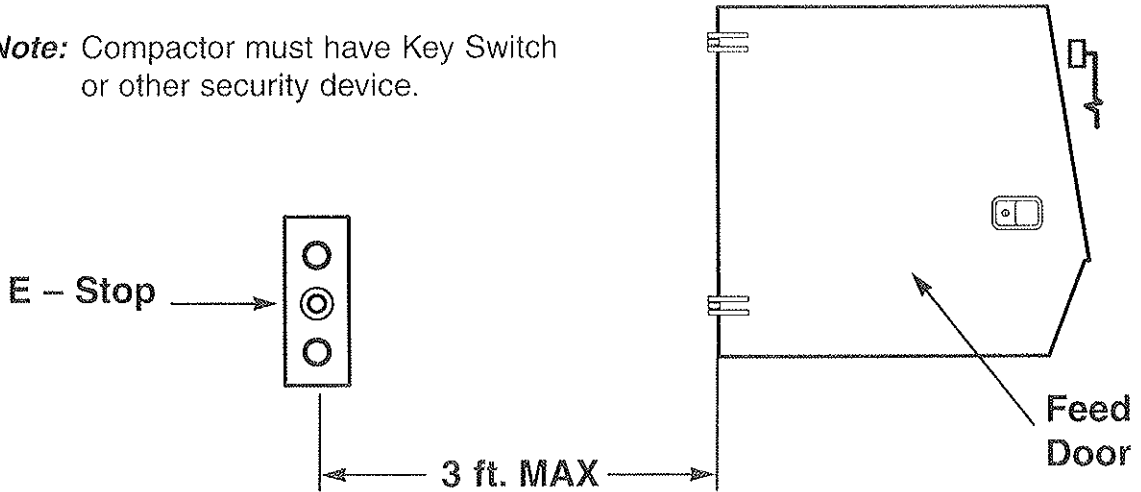


Cart Dumper Installation



Location of Emergency Stop

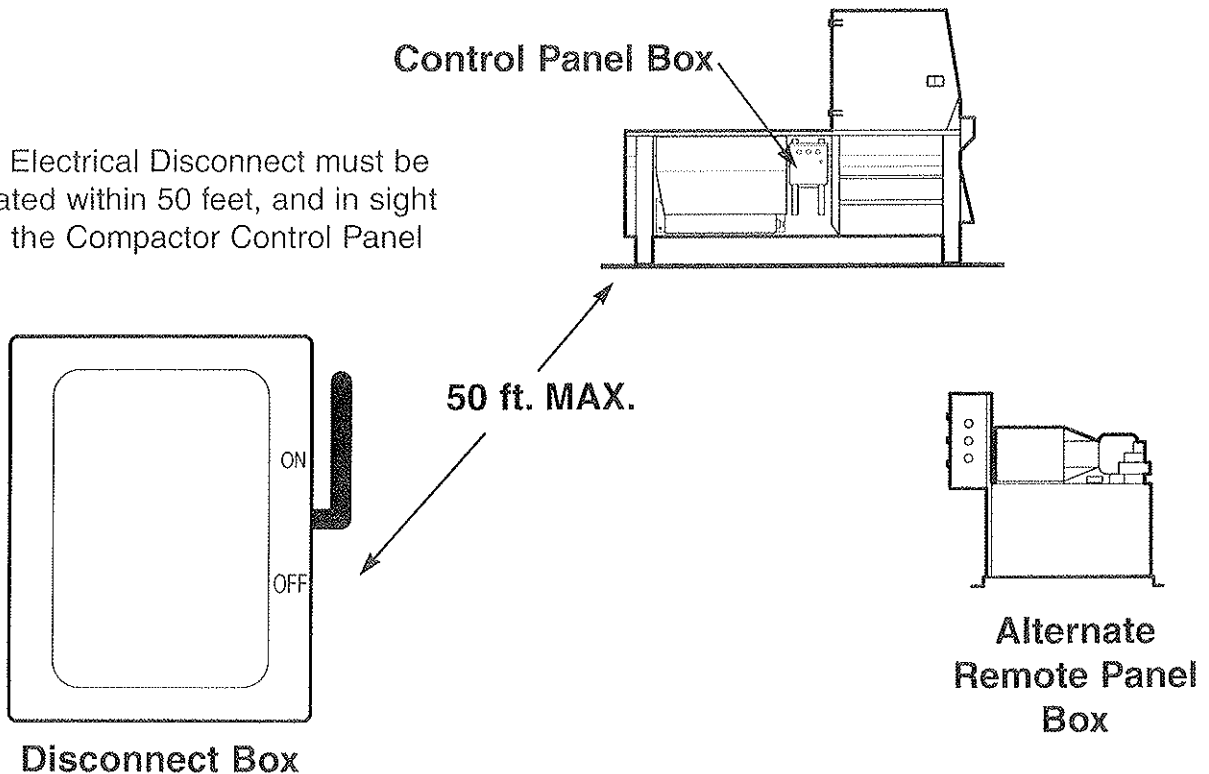
Note: Compactor must have Key Switch or other security device.



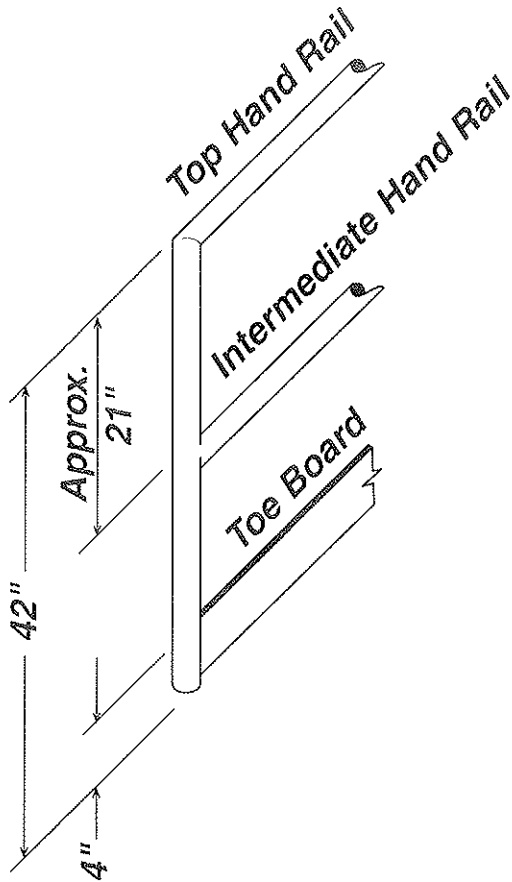
Stop Button must be located within three feet (36 inches) of the Material Feed Area.

Location of Fused Disconnect

An Electrical Disconnect must be located within 50 feet, and in sight of, the Compactor Control Panel



Hand & Toe Rail Design



Guard railings for docks with walk-on ramps shall be located around the charging chamber opening. Guard railings and toe boards shall be provided on the sides of all walk-on ramps. (In accordance with OSHA 1910.23)

Installer Labeling Requirements

A Label shall be affixed to the equipment:

Installer: _____

Date Installed: _____

This Installation Conforms With ANSI Z245.2.1997
Stationary Compactors - Safety Requirements